



## Vestil Manufacturing Corp.

2999 North Wayne Street, P.O. Box 507, Angola, IN 46703

Telephone: (260) 665-7586 -or- Toll Free (800) 348-0868

Fax: (260) 665-1339

Website: [www.vestilmfg.com](http://www.vestilmfg.com) e-mail: [info@vestil.com](mailto:info@vestil.com)

# FL-4000 and FL-4000-N Front Loader Buckets



### Receiving Instructions

After delivery, remove the packaging from the product. Inspect the product closely to determine whether it sustained damage during transport. If damage is discovered, record a complete description of it on the bill of lading. If the product is undamaged, discard the packaging.

**NOTE:** The end-user is solely responsible for confirming that product design, use, and maintenance comply with laws, regulations, codes, and mandatory standards applied where the product is used.

### Technical Service & Replacement Parts

For answers to questions not addressed in these instructions and to order replacement parts, labels, and accessories, call our Technical Service and Parts Department at (260) 665-7586. The Department can also be contacted online at <https://www.vestil.com/page-parts-request.php>.

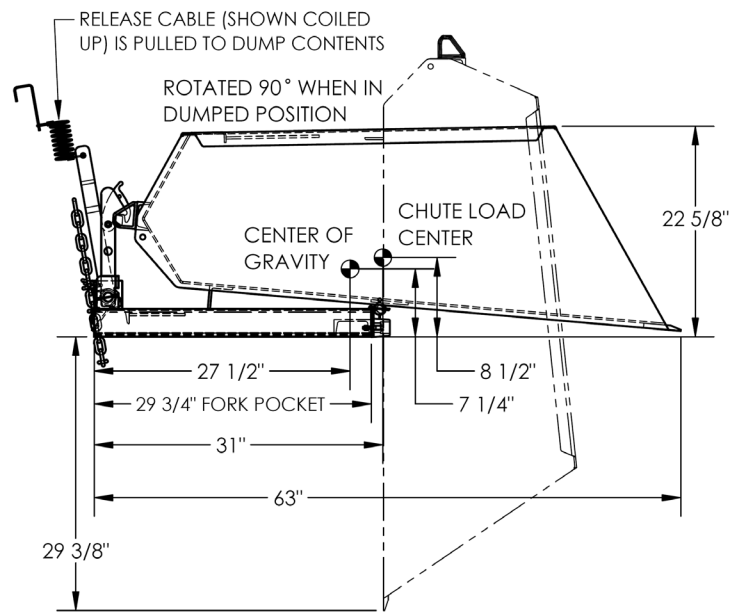
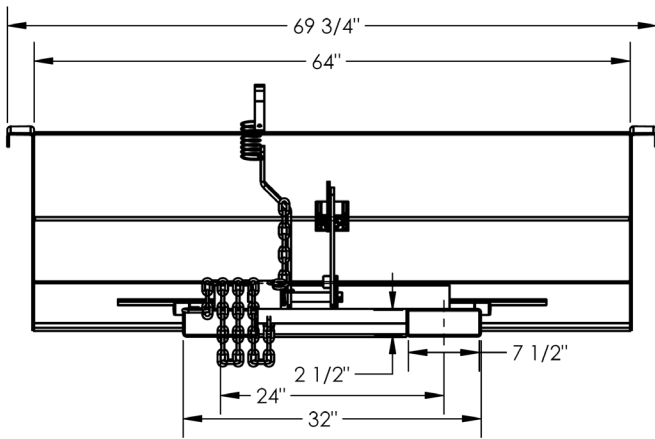
### Electronic Copies of Instruction Manuals

Additional copies of this instruction manual may be downloaded from <https://www.vestil.com/page-manuals.php>.

### Table of Contents

FL-4000 Specifications, Exploded View, Bill of Materials.....	2
FL-4000-N Specifications, Exploded View, Bill of Materials.....	3
Signal Words.....	4
Safety Instructions.....	4
National Standards.....	5
Using the Loader.....	5
Record of Satisfactory Condition.....	6
Inspections and Maintenance.....	6
Labeling Diagram.....	7
Limited Warranty.....	8

**FL-4000 SPECIFICATIONS (37-007-020)**



NEVER EXCEED LOAD CENTER RATING PER FORKTRUCK MANUFACTURERS GUIDELINES. DO NOT USE THIS FORK TRUCK ATTACHMENT IF LOAD WILL EXCEED FORK TRUCK MANUFACTURER'S LOAD CENTER RATING

APPROX. WEIGHT/ LOST LOAD=542.11 LBS.

EFFECTIVE THICKNESS= FORK LENGTH MINUS 29 3/4"

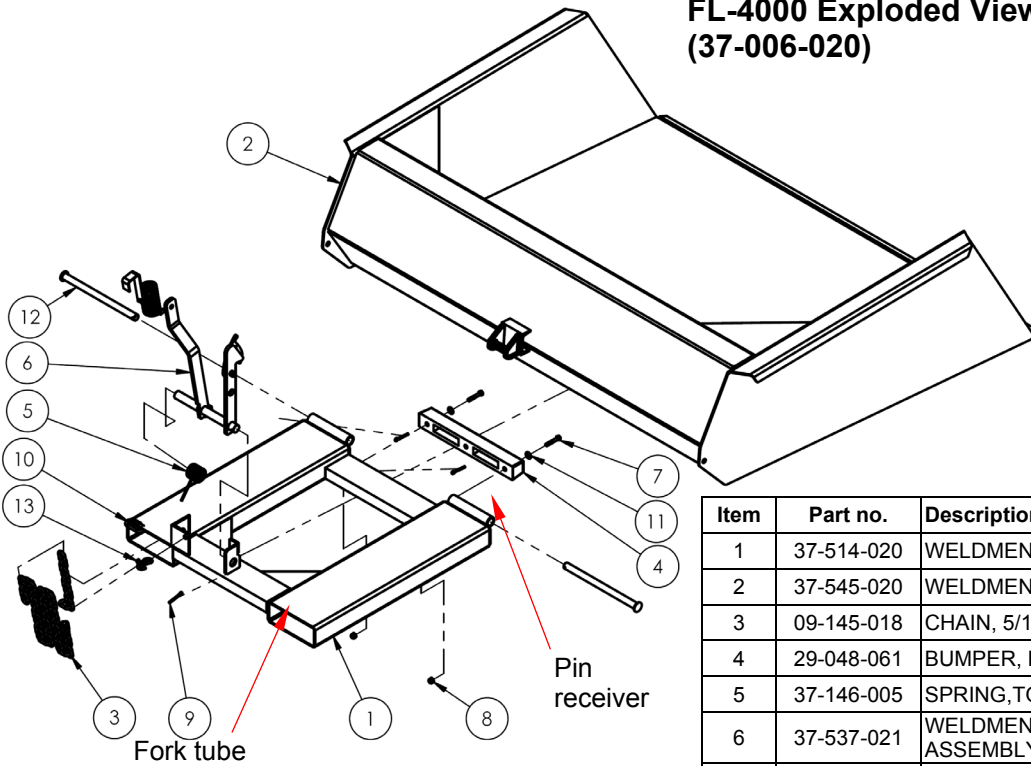
DIMENSION TOLERANCE ± 1/4" 1" = 2.54cm; 1kg = 2.2lb.

WEIGHT CAPACITY = 4,000 LB. (1,818.2KG)

VOLUME CAPACITY = 1 1/3 YD<sup>3</sup> (~1M<sup>3</sup>)

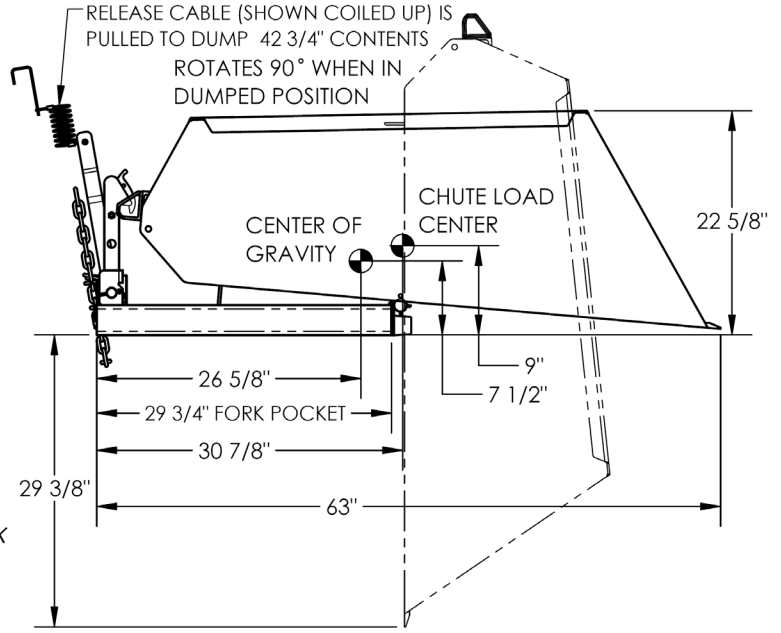
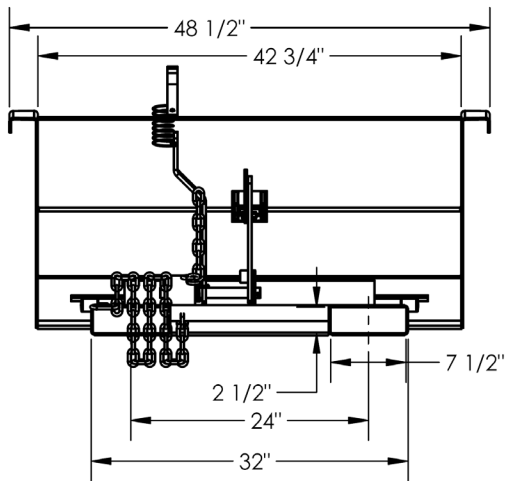
OVERALL DIMENSIONS = 69 3/4" (W) X 63" (L) X 22 5/8" (H)  
 FORK TUBES = 7 1/2" (W) X 2 1/2" (H) ON 24" CENTERS AND ARE 29 3/4" LONG

**FL-4000 Exploded View and Bill of Materials (37-006-020)**



Item	Part no.	Description	Qty.
1	37-514-020	WELDMENT, FRAME, BASE	1
2	37-545-020	WELDMENT, CHUTE	1
3	09-145-018	CHAIN, 5/16" x 56" LG	1
4	29-048-061	BUMPER, RUBBER	1
5	37-146-005	SPRING, TORSION, HOPPER RELEASE	1
6	37-537-021	WELDMENT, LOCK, RELEASE LEVER ASSEMBLY	1
7	11061	HHCS #2 Z PLATED, Ø 5/16 - 18 x 2" LG	2
8	37021	NYLON INSERT LOCK NUT, GRADE 2, ZINC FINISH, 5/16"-18	2
9	65127	COTTER PIN Z PLATED, 3/16 x 2	3
10	99-145-053	5/16" QUICK LINK	1
11	33006	FLAT WASHER, ZINC PLATED, USS, Ø5/16"	2
12	37-112-045	PIN, HINGE AXLE	2
13	99-145-084	LAP LINK, 5/16" X 1 1/2"	1

**FL-4000-N SPECIFICATIONS (37-007-088)**

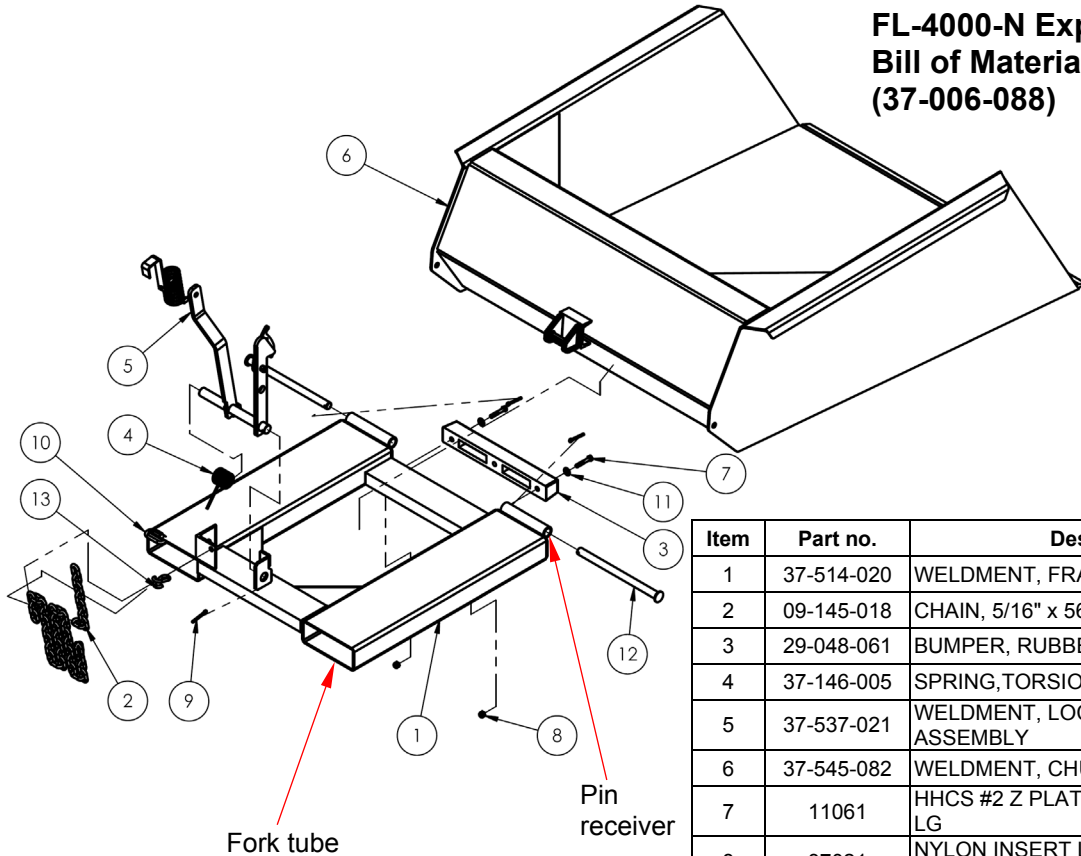


NEVER EXCEED LOAD CENTER RATING PER FORK TRUCK MANUFACTURER'S GUIDELINES. DO NOT USE THIS FORK TRUCK ATTACHMENT IF LOAD WILL EXCEED FORK TRUCK MANUFACTURER'S LOAD CENTER RATING.

APPROX. WEIGHT/ LOST LOAD=443.78 LB. ( 201.7KG)  
 EFFECTIVE THICKNESS= FORK LENGTH MINUS 29 3/4"  
 WEIGHT CAPACITY = 4,000 LB. (1,818.2KG)  
 VOLUME CAPACITY = 1YD<sup>3</sup> (~0.77M<sup>3</sup>)

DIMENSION TOLERANCE ± 1/4" 1" = 2.54cm; 1kg = 2.2lb.  
 OVERALL DIMENSIONS = 48 1/2" (W) X 63" (L) X 22 5/8" (H)  
 FORK TUBES = 7 1/2" (W) X 2 1/2" (H) ON 24" CENTERS AND ARE 29 3/4" LONG

**FL-4000-N Exploded View and Bill of Materials (37-006-088)**



Item	Part no.	Description	Qty.
1	37-514-020	WELDMENT, FRAME, BASE	1
2	09-145-018	CHAIN, 5/16" x 56" LG	1
3	29-048-061	BUMPER, RUBBER	1
4	37-146-005	SPRING, TORSION, HOPPER RELEASE	1
5	37-537-021	WELDMENT, LOCK, RELEASE LEVER ASSEMBLY	1
6	37-545-082	WELDMENT, CHUTE	1
7	11061	HHCS #2 Z PLATED, Ø 5/16 - 18 x 2" LG	2
8	37021	NYLON INSERT LOCK NUT, GRADE 2, ZINC FINISH, 5/16"-18	2
9	65127	COTTER PIN Z PLATED, 3/16 x 2	3
10	99-145-053	5/16" QUICK LINK	1
11	33006	FLAT WASHER, ZINC PLATED, USS, Ø5/16"	2
12	37-112-045	PIN, HINGE AXLE	2
13	99-145-084	LAP LINK, 5/16" X 1 1/2"	1

## SIGNAL WORDS

This manual uses SIGNAL WORDS to draw attention to uses of the product that could result in personal injuries, as well as the probable seriousness of those injuries. Other signal words call attention to uses likely to cause property damage. Signal words used in this manual appear below along with the definition of each word.



Identifies a hazardous situation which, if not avoided, WILL result in DEATH or SERIOUS INJURY. Use of this signal word is limited to the most extreme situations.



Identifies a hazardous situation which, if not avoided, COULD result in DEATH or SERIOUS INJURY.



Indicates a hazardous situation which, if not avoided, COULD result in MINOR or MODERATE injury.



Identifies practices likely to result in product/property damage, such as operation that might damage the product.

## SAFETY INSTRUCTIONS

Vestil strives to identify all foreseeable hazards associated with the use of its products. However, material handling is dangerous and no manual can address every conceivable risk. The most effective way to prevent injury is to apply sound judgment whenever using this device.

Acquire a copy of the latest version of ANSI B56.1 (“B56.1” or the “Standard”). The Standard is freely downloadable on [www.ITSDF.org](http://www.ITSDF.org). Apply all portions of Part II “For the User” about the use of attachments and removable attachments. The following recommendations are intended to complement the provisions of B56.1.



Risk of serious personal injuries or death! Always apply the following safety instructions.

- Before this product may be used, U.S. Occupational Safety and Health Administration rule 1910.178(a)(4) and (a)(5) require that the owner/user: 1) Obtain written approval from the manufacturer(s) of all forklifts [or from a professional engineer] that will use the loader; 2) Change capacity, operation, and maintenance instruction plates, tags, or decals accordingly; AND 3) Mark the forklift truck to identify the beam and show the approximate weight of the truck and beam combination at maximum elevation with load laterally centered. Requirements are published at [https://www.osha.gov/pls/oshaweb/owadisp.show\\_document?p\\_table=STANDARDS&p\\_id=9828](https://www.osha.gov/pls/oshaweb/owadisp.show_document?p_table=STANDARDS&p_id=9828)
- *Read & understand this entire manual before using or servicing the loader.*
- Inspect the loader as directed in the **INSPECTIONS & MAINTENANCE** section on p. 6. DO NOT use it unless it is in **SATISFACTORY CONDITION**. See **RECORD OF SATISFACTORY CONDITION** on p. 6.
- DO NOT use the loader if the carriage chain is damaged or missing; DO NOT lift the loader until it is securely connected to the carriage of the fork truck with the carriage chain. ONLY use this loader with a powered forklift truck. DO NOT mount the loader on stackers or manually propelled lift trucks.
- DO NOT fill the loader with a load weighing more than its maximum rated load. See **SPECIFICATIONS** sections on [pages 2 and 3](#).
- NO ONE should travel under the loader at any time while it is elevated.
- NEVER wrap the release cable around your hand, fingers, or any other part of your body!
- **Loaders with lifting lugs** can be lifted with overhead hoists and cranes. DO NOT lift a loader unless the chute is securely latched to the frame.
- DO NOT allow people to ride on or in the loader.
- DO NOT use the loader if any label is unreadable or missing. Apply replacement labels before returning the loader to service. See **LABELING DIAGRAM** on p. 7.
- ALWAYS apply proper lift truck operation techniques learned during your training program. Before raising the loader from the floor, tilt the (forklift) mast toward the cab of the truck to ensure that the loader will not slide off of the forks.
- DO NOT modify the loader without first obtaining written approval from Vestil! Unapproved modifications might make the loader unsafe to use and automatically void the **LIMITED WARRANTY** on p. 8.
- DO NOT dump the loader UNLESS every person in the vicinity is a safe distance away from the dumping site.
- DO NOT dump the loader if the forklift is on sloped terrain. Only dump the loader while on level surfaces.
- DO NOT exceed the load ratings or fill the loader above the side walls. Injury to personnel or permanent damage to the equipment could result from overloading.

## NATIONAL STANDARDS

US OSHA Rule 1910.178 (29 CFR 1910.178; the “Rule”) classifies this device as a (lift truck) “front- end attachment” whenever it is mounted on a lift truck. The Rule incorporates American National Standard ANSI/ITSDF B56.1 (the “Standard”). The current revision of the Standard is published by the Industrial Truck Standards Development Foundation on its website ([www.itsdf.org](http://www.itsdf.org)) where it is freely downloadable at <http://www.itsdf.org/cue/b56-standards.html>. Before putting this device into service, acquire a copy of the Standard. Apply all relevant parts of Part II: For the User. If instructions provided in this manual conflict with the Standard, then apply the instructions in the Standard. Vestil requests that you immediately share your discovery of any such conflicts with personnel of its **TECHNICAL SERVICE** department. Contact information for **TECHNICAL SERVICE** appears on the cover page of this manual.

## USING THE LOADER

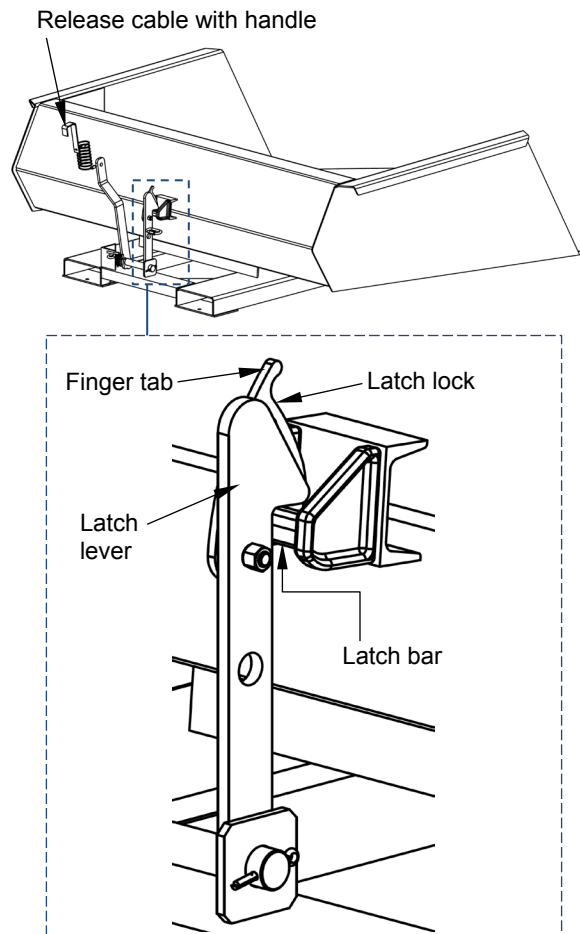
**⚠ WARNING** **DO NOT wrap the release cable around any part of your body, especially your hands, or attach the handle at the end of the cable to your clothing.** If you do and the chute is released, you might be **seriously injured**.

Before mounting the loader on the forks of your lift truck, confirm that the chute is latched to the base frame (cannot rotate).

**Step 1:** Drive the lift truck forward and insert the forks into the fork tubes. Drive as far forward as possible. The tips of the forks will press against the ends of the fork tubes.

**Step 2:** Attach the safety chain to the fork carriage. Wrap the chain around part of the fork carriage. Connect the quick link (at the free end of the chain) to a link in the chain with as little slack as possible.

**Step 3:** Unlock the latch lever by pulling the finger tab until the lock disengages the latch bar (see diagram).



**Step 4:** The loader is equipped with a release cable and handle. This feature allows the forklift operator to release the chute without having to dismount the forklift. Store the handle within reach from the cab. For example, hook the handle to the roll cage of the cab. Make sure plenty of slack is in the cable to avoid accidentally releasing/dumping the chute.

**Step 5:** Fill the loader with material, e.g. snow, sand, gravel, by driving it into the material. Tilt the forklift mast toward the cab and raise the forks. Only raise the forks as high as necessary for adequate ground clearance.

**Step 6:** a) To dump material into a receptacle, raise the forks above the side of the receptacle (e.g. dumpster) and drive forward until the side of the dumpster is directly beneath the middle of the chute. Lower the loader until the chute rests on the side of the dumpster. b) To dump contents onto a material pile, set the chute on top of the pile.

**Step 7:** Dump the chute by pulling the release cable. **NEVER wrap the release cable around your fingers, hand, etc.** Slowly raise the forks to allow the chute to tilt forward. Stop pulling the cable as the carrier begins to tilt forward. Slowly drive forward while raising the forks to allow the chute to dump completely.

**Step 8:** Return the chute to the latched position. Back away from the receptacle/material pile. Lower the forks until the lip of the chute contacts the ground. Slowly drive in reverse while continuing to lower the forks. You should hear the chute latch to the base.

**Step 9:** Level the mast. Confirm that the chute is latched to the base by raising the forks. The chute should not rotate/dump. If necessary, lower the forks completely and manually latch the chute to the base by pressing down on the rear wall of the chute until the latch lever engages the latch bar. Secure the latch by pressing the latch lock over the latch bar.



## RECORD OF SATISFACTORY CONDITION (THE “RECORD”)

Before using this loader for the first time, create a record OF its appearance and features. Include descriptions of the chute, feet, base, carriage chain and quick link, pivot points and pivot point hardware, and the chute release mechanism. Release the chute. Describe how the unit looks and sounds as the chute rotates. Also describe the force necessary to release the chute using both the manual release lever and the cable (release the chute 2 times). Secure the chute to the base and describe how the latch mechanism works. Thoroughly photograph the unit including all labels. Collate all writings and photographs into a single file. This file is a record of the unit in satisfactory condition. **Compare your results of all inspections to this record to determine if the unit is still in satisfactory condition.** Restore the loader to satisfactory condition BEFORE using it again. Purely cosmetic changes, like damaged surface coating (paint or powdercoat) are not changes from satisfactory condition. However, touchup paint should be applied as soon as damage occurs to prevent rusting.

## INSPECTIONS & MAINTENANCE

Inspections and repairs should only be performed by qualified persons. Compare the results of each inspection to the RECORD. Do not use the loader unless all parts are in satisfactory condition. Replace parts that are not in satisfactory condition before using the loader again. **DON'T GUESS! If you have any questions about the condition of your loader, speak with *TECHNICAL SERVICE personnel*.** The phone number is provided on the cover page of this manual. **Never make temporary repairs of damaged or missing parts.** Only use manufacturer-approved replacement parts.

### Inspections

Make a dated record of the inspection that includes all observations and described repairs and/or replacements made.

- 1) Pivot points: Look for excessive wear, bends, or other significant damage to hinge/pivot pins, cotter pins, and pin receivers.
- 2) Chute and base frame: Examine the structures for damage, deformation, corroded or excessively rusted regions. Remove rust and apply touch-up paint to exposed metal.
- 3) Hardware (bolts, nuts, pins, cotter pins, retaining rings): Inspect hardware for looseness and severe wear. Tighten loose connections. Replace all damaged hardware.
- 4) Release mechanism [see *STEP 3* on p. 5]: The torsion spring should cause the latch lever to automatically recoil. The lever should firmly contact the lock bar. Check the release cable for frayed, thinned, or cut regions.
- 5) Moving parts: Listen for unusual noises and watch for irregular movement while releasing and re-latching the chute. Remove dirt and debris from areas that could affect the loader's dumping motion.
- 6) Safety chain: Examine the safety chain. Also examine its point of attachment to the base frame.
- 7) Labels: Labels must be firmly affixed in the locations shown in the *LABELING DIAGRAM* on p. 7.

### Maintenance

Implement a maintenance program to ensure that the product functions properly and is adequately maintained. The following steps should be applied to complement established maintenance programs.

Step 1: Tag the loader, “Out of Service.”

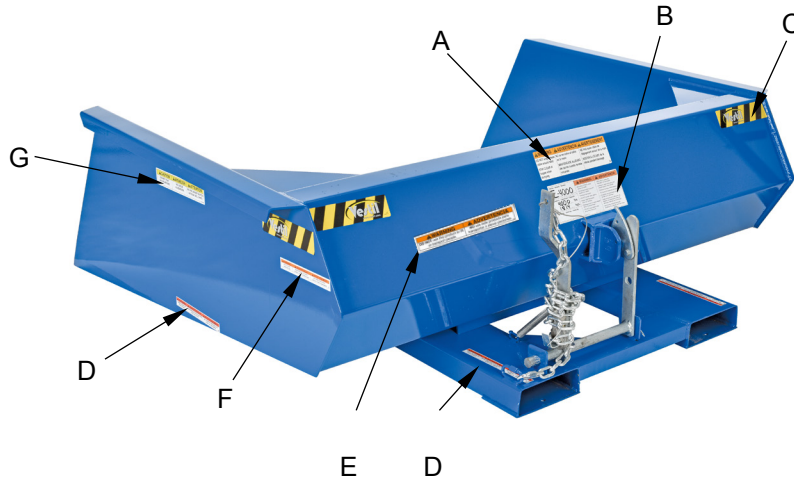
Step 2: Inspect the unit as described on p. 5. DO NOT continue to use the product if repairs/replacements are needed.

Step 3: Perform all necessary adjustments, replacements, and repairs.

Step 4: Make a dated record of all repairs.

# LABELING DIAGRAM

The unit should be labeled as shown in the diagram. However, label content and location are subject to change so your product might not be labeled exactly as shown. Thoroughly photograph the unit when you first receive it as discussed in the *Record of Satisfactory Condition* section on p. 9. Make sure that your record includes a photograph of each label. Replace all labels that are, or later become, damaged, missing, or not easily readable (e.g. faded). To order replacement labels, contact the *Parts Department* online at [http://www.vestilmfg.com/parts\\_info.htm](http://www.vestilmfg.com/parts_info.htm). Alternatively, you may call (260) 665-7586 and ask the operator to connect you to the *Parts Department*.



A: Label 620

⚠ WARNING	
	<p><b>DO NOT</b> wrap release cable around hand.</p> <p>Severe injury or amputation might occur if cable wrapped around body part when chute dumped.</p>
<p><b>STAY CLEAR</b> of hopper when dumping.</p> <p><b>DO NOT</b> hook manual release handle on hopper when using bumper release.</p> <p>Each person who uses this hopper should have access to the user manual. Copies of the manual can be downloaded from <a href="http://www.vestil.com">www.vestil.com</a>.</p>	
⚠ ADVERTENCIA	
<p><b>NO AGARRAR</b> el cable con la mano.</p> <p>Puede causar un daño severo o amputación si el cable se envuelve alrededor del cuerpo al estar descargando la tolva.</p> <p><b>MANTENTE ALEJADO</b> de la tolva al descargar.</p> <p>Nunca agarrar el gancho de la tolva.</p> <p>Cada persona que use la tolva debe de usar el manual, las copias se pueden descargar de la dirección <a href="http://www.vestil.com">www.vestil.com</a>.</p>	

B: Label 549

Model / Modelo / Modèle  Capacity / Capacidad / Capacite _____ lbs. _____ kgs. Serial No. / Serie No. / Serie No.	<b>⚠ WARNING</b>	<b>⚠ ADVERTENCIA</b>
	<ul style="list-style-type: none"> <li>SECURELY ATTACH safety restraint to forklift</li> <li>Tilt load backwards to prevent hopper from sliding</li> <li>Distribute load evenly</li> <li>DO NOT exceed rated capacity</li> <li>Hopper MUST be locked when not dumping.</li> <li>Disengage lock on hopper release before dumping hopper</li> <li>DO NOT wrap release cable around any body part</li> </ul>	<ul style="list-style-type: none"> <li>ASEGURE la cadena de seguridad a la transportista</li> <li>Vuelque la carga hacia atras para prevenir que el carrito resbale</li> <li>Distribuya la carga uniformemente</li> <li>NO exceda la capacidad de carga tasada</li> <li>El depósito de alimentación debe ser cerrado al no descargar</li> <li>Suelte cerradura en la liberación de depósito de alimentación antes de descargar depósito de alimentación</li> <li>No envuelva cable de liberación alrededor de cualquier parte del cuerpo</li> </ul>

C: Label 635 (wrapped around both rear corners)



D: Label 208 (both fork tubes)

⚠ WARNING	⚠ ADVERTENCIA	⚠ AVERTISSEMENT
KEEP CLEAR OF PINCH POINT	MANTENGASE ALEJADO DEL PUNTO DE CORTE	SE TENIR À DISTANCE DU POINT DE PINCEMENT

E: Label 995

⚠ WARNING	⚠ ADVERTENCIA
DO NOT use this product to lift or transport people.	NO use este producto para transportar o elevar personas.

F: Label 220 (both sides)

⚠ WARNING	⚠ ADVERTENCIA	⚠ AVERTISSEMENT
KEEP CLEAR WHEN IN USE	MANTENGASE ALEJADO CUANDO SE ESTA OPERANDO	SE TENIR À DISTANCE LORS DU FONCTIONNEMENT

G: Label 375 (both sides)

⚠ WARNING	⚠ ADVERTENCIA	⚠ AVERTISSEMENT
DO NOT PLAY ON OR AROUND	NO JUEGE ALREDEDOR	NE PAS JOUER SUR OU AUTOUR DE L'UNITÉ

## LIMITED WARRANTY

Vestil Manufacturing Corporation (“Vestil”) warrants this product to be free of defects in material and workmanship during the warranty period. Our warranty obligation is to provide a replacement for a defective, original part covered by the warranty after we receive a proper request from the Warrantee (you) for warranty service.

### Who may request service?

Only a warrantee may request service. You are a warrantee if you purchased the product from Vestil or from an authorized distributor AND Vestil has been fully paid.

### Definition of “original part”?

An original part is a part used to make the product as shipped to the Warrantee.

### What is a “proper request”?

A request for warranty service is proper if Vestil receives: 1) a photocopy of the Customer Invoice that displays the shipping date; AND 2) a written request for warranty service including your name and phone number. Send requests by one of the following methods:

<u>US Mail</u>	<u>Fax</u>	<u>Email</u>
Vestil Manufacturing Corporation 2999 North Wayne Street, PO Box 507 Angola, IN 46703	(260) 665-1339 <u>Phone</u> (260) 665-7586	<a href="mailto:info@vestil.com">info@vestil.com</a> Enter “Warranty service request” in subject field.

In the written request, list the parts believed to be defective and include the address where replacements should be delivered. After Vestil receives your request for warranty service, an authorized representative will contact you to determine whether your claim is covered by the warranty. Before providing warranty service, Vestil will require you to send the entire product, or just the defective part (or parts), to its facility in Angola, IN.

### What is covered under the warranty?

The warranty covers defects in the following original, dynamic parts: motors, hydraulic pumps, electronic controllers, switches, and cylinders. It also covers defects in original parts that wear under normal usage conditions (“wearing parts”), such as bearings, hoses, wheels, seals, brushes, and batteries.

### How long is the warranty period?

The warranty period for original dynamic components is 90 days. For wearing parts, the warranty period is 90 days. Both warranty periods begin on the date Vestil ships the product to the Warrantee. If the product was purchased from an authorized distributor, the periods begin when the distributor ships the product. Vestil may, at its sole discretion, extend a warranty period for products shipped from authorized distributors by up to 30 days to account for shipping time.

### If a defective part is covered by the warranty, what will Vestil do to correct the problem?

Vestil will provide an appropriate replacement for any *covered* part. An authorized representative of Vestil will contact you to discuss your claim.

### What is not covered by the warranty?

The Warrantee (you) are responsible for paying labor costs and freight costs to return the product to Vestil for warranty service.

### Events that automatically void the Limited Warranty.

- Misuse;
- Negligent assembly, installation, operation or repair;
- Installation/use in corrosive environments;
- Inadequate or improper maintenance;
- Damage sustained during shipping;
- Collisions or other accidents that damage the product;
- Unauthorized modifications: Do not modify the product IN ANY WAY without first receiving written authorization from Vestil.

### Do any other warranties apply to the product?

Vestil Manufacturing Corp. makes no other express warranties. All implied warranties are disclaimed to the extent allowed by law. Any implied warranty not disclaimed is limited in scope to the terms of this Limited Warranty. Vestil makes no warranty or representation that this product complies with any state or local design, performance, or safety code or standard. Noncompliance with any such code or standard is not a defect in material or workmanship.

