

ATTENTION: TO INSURE SAFE AND EASY USE OF YOUR WESCO COBRA-LITE HAND TRUCK, READ THESE INSTRUCTIONS BEFORE USING.

Description

The Wesco 470-T14 Series Cobra-Lite Aluminum Hand Trucks are specifically designed to be a quality light weight truck at an economic price. It features a high back loop handle, 2" wide cross braces for additional strength and a heavy duty 14" nose plate.

This product is distributed by:

Wesco Industrial Products, LLC
1250 Welsh Road
North Wales, PA 19454
Tel: 215-699-7031 Fax: 215-699-3836



Figure 1
(470-T14-BC10)

Contact the factory for parts information and ordering.
Visit us on the web at www.wescomfg.com

Unpacking

When unpacking the Wesco Product, check carefully for shipping damage and missing parts. If damage has occurred or any parts are missing, file a claim with the delivering carrier within 24 hours and notify the dealer from whom the unit was purchased.

Warranty Repairs

If the unit does not work properly, contact your dealer or the factory (215-699-7031) for units less than 90 days old.

Non-Warranty Service

If units are older than 90 days, repairs can be made easily on site with factory supplied parts.

NOTE: Do not send units to the factory for service without first obtaining a "Return Merchandise Authorization" (RMA) number from the customer service department. We will not be responsible for merchandise returned without proper authorization.

General Safety Information

The Wesco 470-T14 Series Cobra-Lite Aluminum Hand Trucks are designed for specific functions. To insure proper use, the following instructions must be adhered to:

(1) DO NOT overload the Hand Truck beyond the rated capacity of the unit, shown in Table 1 below.

P/N	Model #	Capacity (lbs)
220568	470-T14-BC10	560
220335	470-T14-R3	600
220330	470-T14-Z	600
220373	470-T14-Z2	600
220331	470-T14-P	600
220378	470-T14-PE	600

Table 1

- (2) Stack all loads centered on truck.
 (3) DO NOT move a load stacked higher than the body of the truck.
 (4) Keep hands and feet away from the bottom of the load.
 (5) Tilt loaded truck with caution, making sure to maintain control.
 (6) Use extreme caution when moving on uneven floors.

Spare Parts List

Item	P/ N	Description	Qty.
1	108990	Box: 40-1/2" x 13 x 10	1
2	151510	"D" Handle	1
3	151521	14" Nose Plate	1
4	153855	Straight Frame Kit	1
5	270274	BC10 Wheel Kit (For P/N 220568 only)	1
	054048	R3 Wheel Kit (For P/N 220335 only)	1
	054047	Z Wheel Kit (For P/N 220330 only)	1
	054230	Z2 Wheel Kit (For P/N 220373 only)	1
	054045	P Wheel Kit (For P/N 220331 only)	1
	054231	PE Wheel Kit (For P/N 220378 only)	1

Table 2

LIMITED WARRANTY

WESCO INDUSTRIAL PRODUCTS (WESCO) warrants to the purchaser of this product for a period of ninety (90) days from the date of purchase that this product shall be free of defects in material and/or workmanship, as follows:

1. WESCO will supply, at no charge, new or rebuilt replacements for any part that fails through a defect in material and/or workmanship during the warranty period. To obtain warranty service, you must deliver the product prepaid, to the WESCO factory.

2. This warranty does not cover any product or product part which has been subject to accident, misuse, abuse or negligence. WESCO shall only be liable under this warranty if the product is used the manner intended by the manufacturer as specified in the written instructions furnished with this product.

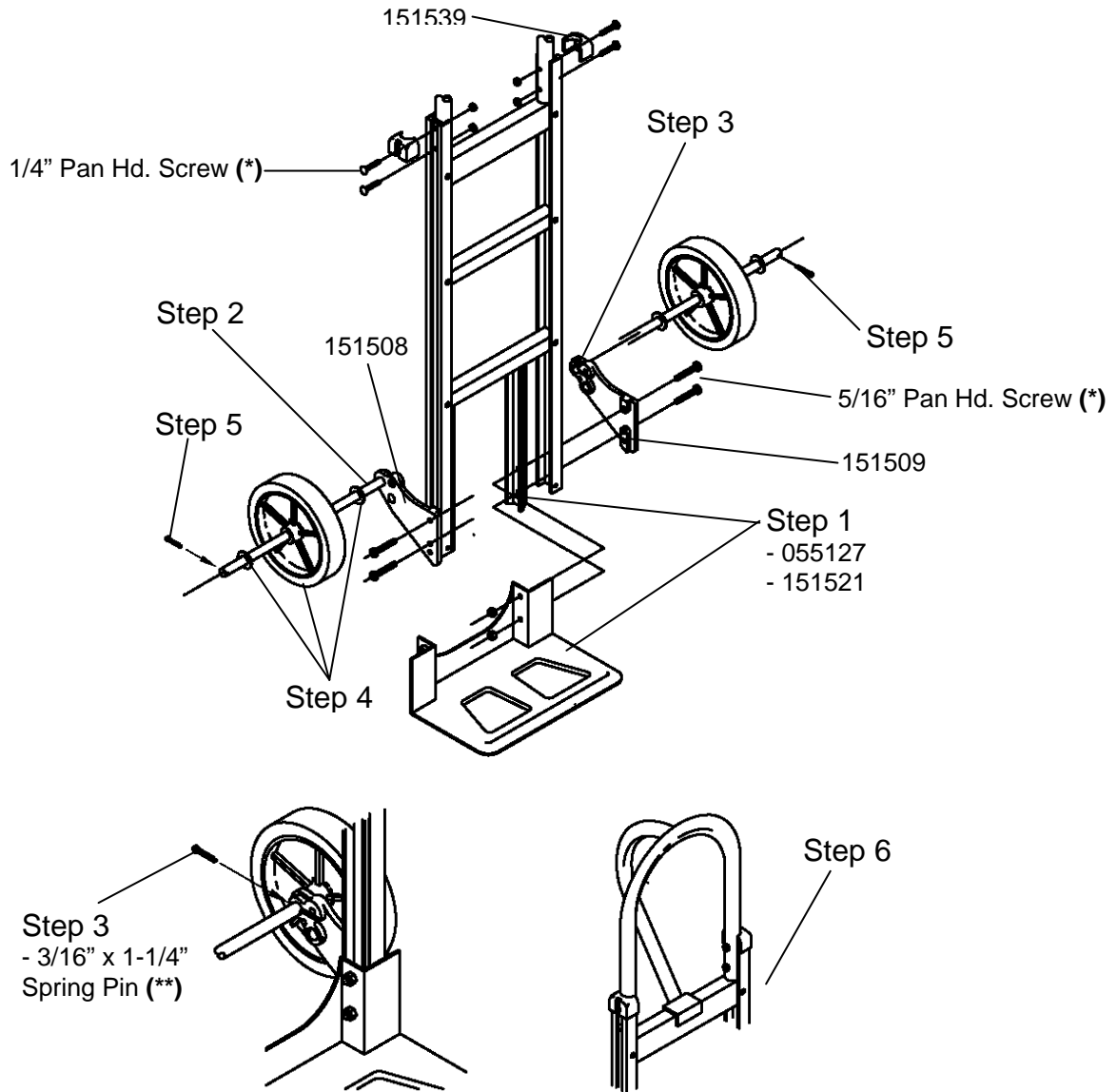
REPAIR OR REPLACEMENT AS PROVIDED UNDER THIS WARRANTY IS THE EXCLUSIVE REMEDY OF THE PURCHASER. ANY EXPRESS WARRANTY NOT PROVIDED IN THIS WARRANTY DOCUMENT, AND ANY REMEDY FOR BREACH OF CONTRACT THAT, BUT FOR THIS PROVISION, MIGHT ARISE BY IMPLICATION OR OPERATION OF LAW, IS HEREBY EXCLUDED AND DISCLAIMED. UNDER NO CIRCUMSTANCES SHALL WESCO BE LIABLE TO PURCHASER OR ANY OTHER PERSON FOR ANY INCIDENTAL OR CONSEQUENTIAL DAMAGES, WHETHER ARISING OUT OF BREACH OF WARRANTY, EXPRESS OR IMPLIED, A BREACH OF CONTRACT OR OTHERWISE. EXCEPT TO THE EXTENT PROHIBITED BY APPLICABLE LAW, ANY IMPLIED WARRANTY OF MERCHANTABILITY AND FITNESS FOR ANY PARTICULAR PURPOSE ARE EXPRESSLY LIMITED IN DURATION TO THE DURATION OF THIS LIMITED WARRANTY.

Some states do not allow the exclusion or limitation of incidental or consequential damages, or allow limitations on how long any implied warranty lasts, so the above limitations may not apply to you. This warranty gives you specific legal rights, and you may also have other rights which vary from state to state.

ATTENTION: TO INSURE SAFE AND EASY USE OF YOUR WESCO COBRA-LITE HAND TRUCK, READ THESE INSTRUCTIONS BEFORE USING.

Assembly Instructions

- (1) Using 5/16" screws, bolt the Nose Plate (151521), Right Axle Support (151508), Left Axle Support (151509), and Inside Reinforcements (055127) to Frame (151519) as shown. Be sure to insert reinforcements between Nose Plate and frame before inserting bolts.
- (2) Insert axle through axle supports using holes furthest from frame for 10" wheels, and holes closer to frame for 8" wheels.
- (3) Insert spring pins through axle in slot of axle supports to help prevent rotation of axle.
- (4) Slide washers on each end of axle, then wheels and washers again.
- (5) Insert cotter pins through holes at end of axle and bend enough to secure in place.
- (6) Install Handle(s) and End Caps (151539) to top of frame as shown.



Note: * Part of Hardware Kit included in Straight Frame Kit (153855)

** Part of Hardware Kit included in Model Wheel Kit in Table 2